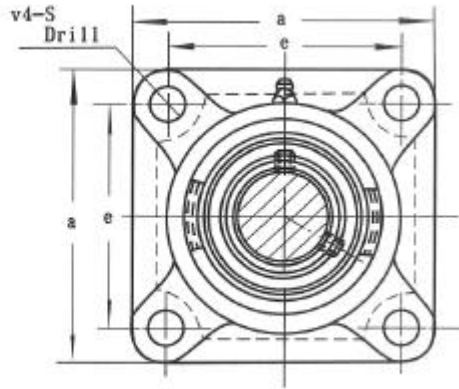
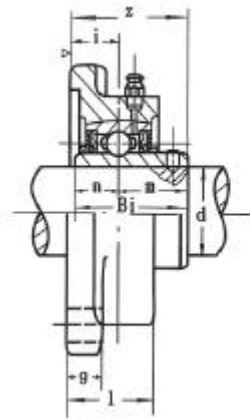


Cast Iron Square Flange Units

Set Screw Type - Normal Duty



Unit No.	Shaft Dia. d		Dimensions (mm/inch)										Bolt Used		Bearing No.	Housing No.	Weight		
	(inch)	(mm)	a	e	i	g	l	s	Z	Bi	n	m	(mm)	(in.)			kg	Lbs	
UCF 201		12														UC 201			
UCF 201-8	1/2															UC 201-8			
UCF 202		15	3-3/8	2-32/64	14/32	7/16	1	15/32	1-5/16	1.2205	0.5000	0.7205				UC 202			
UCF 202-10	5/8		86	64	15	11	25.5	12	33.3	31.0	12.7	18.3	10	3/8	UC 202-10	F 204	0.65	1.43	
UCF 203		17													UC 203				
UCF 204-12	3/4														UC 204-12				
UCF 204		20													UC 204				
UCF 205-14	7/8															UC 205-14			
UCF 205-15	15/16		3-3/4	2-3/4	5/8	1/2	1-1/16	15/32	1-13/32	1.3386	0.5630	0.7756				UC 205-15	F 205	0.90	1.98
UCF 205		25	95	70	16	13	27	12	35.7	34.0	14.3	19.7	10	3/8	UC 205				
UCF 205-16	1														UC 205-16				
UCF 206-18	1-1/8		4-1/4	3-17/64	45/64	1/2	1-7/32	15/32	1-19/32	1.5000	0.6260	0.8740				UC 206-18			
UCF 206		30	108	83	18	13	31	12	40.2	38.1	15.9	22.2	14	1/2	UC 206	F 206	1.25	2.75	
UCF 206-19	1-3/16														UC 206-19				
UCF 207-20	1-1/4															UC 207-20			
UCF 207-21	1-5/16															UC 207-21			
UCF 207-22	1-3/8		4-19/32	3-5/8	3/4	19/32	1-11/32	35/64	1-3/4	1.6890	0.6890	1.0000				UC 207-22	F 207	1.65	3.63
UCF 207		35	117	92	19	15	34	14	44.4	42.9	17.5	25.4	14	1/2	UC 207				
UCF 207-23	1-7/16														UC 207-23				
UCF 208-24	1-1/2															UC 208-24			
UCF 208-25	1-9/16		5-1/8	4-1/64	53/64	19/32	1-13/32	5/8	2-1/32	1.9370	0.7480	1.1890	14	1/2	UC 208-25	F 208	2.20	4.84	
UCF 208		40	130	102	21	15	36	16	51.2	49.2	19.0	30.2			UC 208				
UCF 209-26	1-5/8															UC 209-26			
UCF 209-27	1-11/16															UC 209-27			
UCF 209-28	1-3/4		5-13/32	4-9/64	55/64	5/8	1-1/2	5/8	2-1/16	1.9370	0.7480	1.1890	14	1/2	UC 209-28	F 209	2.50	5.50	
UCF 209		45	137	105	22	16	38	16	52.2	49.2	19.0	30.2			UC 209				
UCF 210-30	1-7/8															UC 210-30			
UCF 210-31	1-15/16		5-5/8	4-3/8	55/64	5/8	1-9/16	5/8	2-5/32	2.0315	0.7480	1.2835	16	5/8	UC 210-31	F 210	2.75	6.05	
UCF 210		50	143	111	22	16	40	16	54.6	51.6	19.0	32.6			UC 210				
UCF 211-32	2															UC 211-32			
UCF 211-34	2-1/8		6-3/8	5-1/8	63/64	23/32	1-11/16	3/4	2-5/16	2.1890	0.8740	1.3150				UC 211-34	F 211	3.95	8.69
UCF 211		55	162	130	25	18	43	19	58.4	55.6	22.2	33.4	16	5/8	UC 211				
UCF 211-35	2-3/16															UC 211-35			
UCF 212-36	2-1/4															UC 212-36			
UCF 212		60	6-7/8	5-5/8	1-9/64	23/32	1-7/8	3/4	2-23/32	2.5630	1.0000	1.5630				UC 212	F 212	5.00	11.00
UCF 212-38	2-3/8		175	143	29	18	48	19	68.7	65.1	25.4	39.7	16	5/8	UC 212-38				
UCF 212-39	2-7/16															UC 212-39			
UCF 213-40	2-1/2		7-3/8	5-55/64	1-3/16	7/8	1-31/32	3/4	2-3/4	2.5630	1.0000	1.5630	20	3/4	UC 213-40	F 213	6.00	13.20	
UCF 213		65	187	149	30	22	50	19	69.7	65.1	25.4	39.7			UC 213				