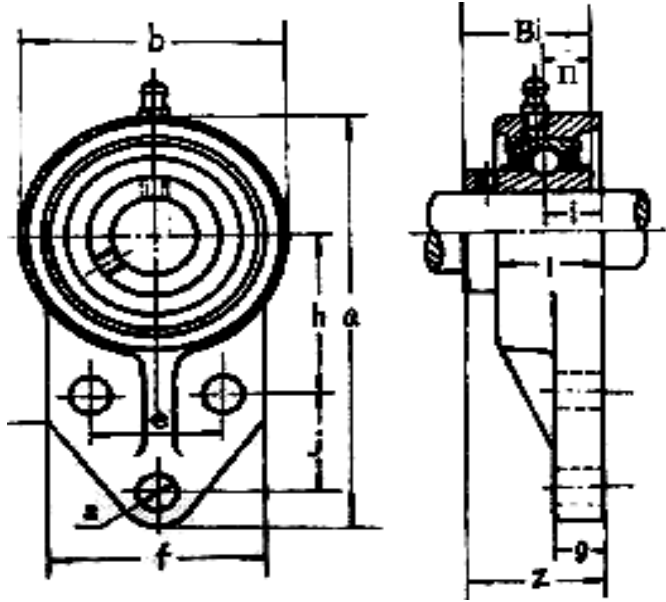


Stainless Steel Flanged Bracket Set Screw Locking

- Material**
Housing : SUS 440C Stainless
Bearing Inserts
 Inner & Outer Rings : 440C
 Retainer : 410C
 Steel Balls : 440C
 Oil Seals : 410C
 Set Screw : 440C
 Steel Plate Slinger : 410C



Unit No.	Shaft Dia.		Dimensions (mm/inch)										Bearing No.	Housing No.
	mm	inch	a	b	f	l	s	g	h	j	e	Bi		
SUCFB 204	20		108	63	52	25.4	9.9	8	42.9	22.2	38.1	31	SUC204	SFB204
SUCFB 204-12		3/4	4.25	2.48	2.06	1	0.39	0.31	1.69	0.87	1.50	1.22	SUC204-12	SFB204
SUCFB 205	25		121	70	56	27	9.9	9.5	46	28.6	41.3	34	SUC205	SFB205
SUCFB 205-16		1	4.76	2.76	2.21	1.06	0.39	0.37	1.81	1.13	1.63	1.34	SUC205-16	SFB205
SUCFB 206	30		137	78	65	32	9.9	9.5	52.4	31.8	47.6	38.1	SUC206	SFB206
SUCFB 206-18		1-1/8	5.39	3.27	2.56	1.26	0.39	0.37	2.06	1.25	1.87	1.50	SUC206-18	SFB206
SUCFB 207	35		156	95	70	34	13.5	13.5	60.3	31.8	50.8	42.9	SUC207	SFB207
SUCFB 207-20		1-1/4	6.14	3.74	2.75	1.34	0.53	0.53	2.37	1.25	2	1.68	SUC207-20	SFB207
SUCFB 207-22		1-3/8	6.14	3.74	2.75	1.34	0.53	0.53	2.37	1.25	2	1.68	SUC207-22	SFB207
SUCFB 208	40		164	100	78	36	16	16	60	41	50	49.2	SUC208	SFB208
SUCFB 208-24		1-1/2	6.46	3.94	3.06	1.42	0.63	0.63	2.36	1.61	1.97	1.93	SUC208-24	SFB208
SUCFB 209	45		174	106	80	38	18	18	65	42.9	54	49.2	SUC209	SFB209
SUCFB 210	50		184	118	86	40	13	13	74.6	41.3	69.9	51.6	SUC210	SFB210

Note: Other sizes are also available. Please contact with fsqsales@fairfriend.com.tw