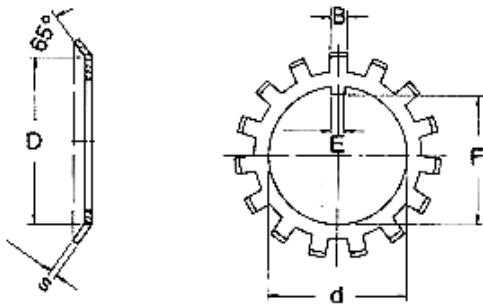
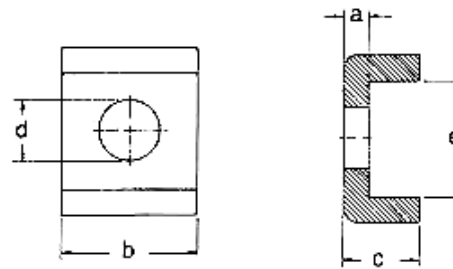


Series: AW/MB



Series: AL/MS31, ALL/MS30



NO.	d	D	S	E	F	B	Weight (100/kg)
AW/MB 0	10	13.5	1	3	8.5	3	0.131
AW/MB 1	12	17	1	3	10.5	3	0.192
AW/MB 2	15	21	1	4	13.5	4	0.253
AW/MB 3	17	24	1	4	15.5	4	0.313
AW/MB 4	20	26	1	4	18.5	4	0.350
AW/MB 5	25	32	1.25	5	23	5	0.640
AW/MB 6	30	38	1.25	5	27.5	5	0.780
AW/MB 7	35	44	1.25	6	32.5	5	1.04
AW/MB 8	40	50	1.25	6	37.5	6	1.23
AW/MB 9	45	56	1.25	6	42.5	6	1.52
AW/MB 10	50	61	1.25	6	47.5	6	1.60
AW/MB 11	55	67	1.25	8	52.5	7	1.96
AW/MB 12	60	73	1.5	8	57.5	7	2.53
AW/MB 13	65	79	1.5	8	62.5	7	2.90
AW/MB 14	70	85	1.5	8	66.5	8	3.34
AW/MB 15	75	90	1.5	8	71.5	8	3.56
AW/MB 16	80	95	1.75	10	76.5	8	4.64
AW/MB 17	85	102	1.75	10	81.5	8	5.24
AW/MB 18	90	108	1.75	10	86.5	10	6.23
AW/MB 19	95	113	1.75	10	91.5	10	6.70
AW/MB 20	100	120	1.75	12	96.5	10	7.65
AW/MB 21	105	126	1.75	12	100.5	12	8.26
AW/MB 22	110	133	1.75	12	105.5	12	9.40
AW/MB 23	115	137	2	12	110.5	12	10.8
AW/MB 24	120	138	2	14	115	12	10.5
AW/MB 25	125	148	2	14	120	12	11.8
AW/MB 26	130	149	2	14	125	12	11.3
AW/MB 27	135	160	2	14	130	14	14.4
AW/MB 28	140	160	2	16	135	14	14.2
AW/MB 29	145	172	2	16	140	14	16.8
AW/MB 30	150	171	2	16	145	14	15.5
AW/MB 31	155	182	2.5	16	147.5	16	20.9
AW/MB 32	160	182	2.5	18	154	16	22.2
AW/MB 33	165	193	2.5	18	157.5	16	24.1
AW/MB 34	170	193	2.5	18	164	16	24.7
AW/MB 36	180	203	2.5	20	174	18	26.8
AW/MB 38	190	214	2.5	20	184	18	27.8
AW/MB 40	200	226	2.5	20	194	18	29.3
AW/MB 44	220	250	3	24	213	20	40.0
AW/MB 48	240	270	3	24	233	20	40.0
AW/MB 52	260	300	3	28	253	24	60.0
AW/MB 56	280	320	3	28	273	24	62.0

NO.	a	b	c	d	e	Weight (100/kg)
AL/MS 3144	4	20	12	9	22.5	2.60
AL/MS 3148	4	20	12	9	22.5	2.60
AL/MS 3152	4	24	12	12	25.5	3.39
AL/MS 3156	4	24	12	12	25.5	3.39
AL/MS 3160	4	24	12	12	30.5	3.79
AL/MS 3164	5	24	15	12	31	5.35
AL/MS 3168	5	28	15	14	38	6.65
AL/MS 3172	5	28	15	14	38	6.65
AL/MS 3176	5	32	15	14	40	7.96
AL/MS 3180	5	32	15	18	45	8.20
AL/MS 3184	5	32	15	18	45	8.20
AL/MS 3188	5	36	15	18	43	9.00
AL/MS 3192	5	36	15	18	43	9.00
AL/MS 3196	5	36	15	18	53	10.4
ALL/MS 3044	4	20	12	7	13.5	2.12
ALL/MS 3048	4	20	12	9	17.5	2.29
ALL/MS 3052	4	20	12	9	17.5	2.29
ALL/MS 3056	4	24	12	9	17.5	2.92
ALL/MS 3060	4	24	12	9	20.5	3.16
ALL/MS 3064	5	24	15	9	21	4.56
ALL/MS 3068	5	24	15	9	21	4.56
ALL/MS 3072	5	28	15	9	20	5.03
ALL/MS 3076	5	28	15	12	24	5.28
ALL/MS 3080	5	28	15	12	24	5.28
ALL/MS 3084	5	32	15	12	24	6.11
ALL/MS 3088	5	32	15	14	28	6.45
ALL/MS 3092	5	32	15	14	28	6.45
ALL/MS 3096	5	36	15	14	28	7.29